

Step 1: Drill Clearance Hole

Drill 1.00" dia. clearance hole at 26.50" above the grill floor when using the leg mounts.

For Flange Mounting please note:

If removing leg mounts and installing on the flange, drill hole 17" above your chosen mounting surface. (Recommended mounting surface should be around 9.50" from hearth floor)

Step 2: Install Bushing

Insert bushing through 1.00" dia clearance hole.

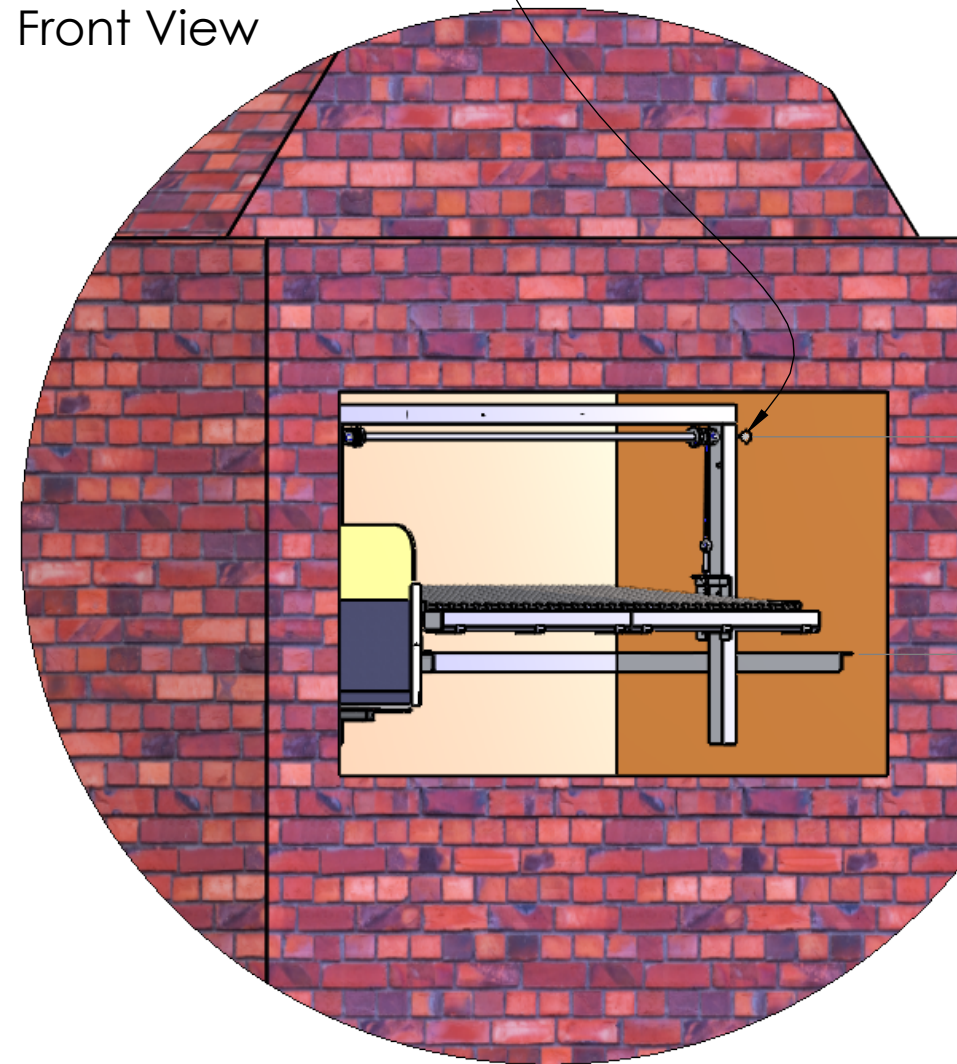
Step 3: Mount Ratchet Plate

Align top hole on ratchet plate with the installed bushing. Using a level, properly square the plate, transfer and drill 4 pilot holes for mounting hardware. Once pilot holes are drilled, install ratchet plate with the (4) masonry screws provided.

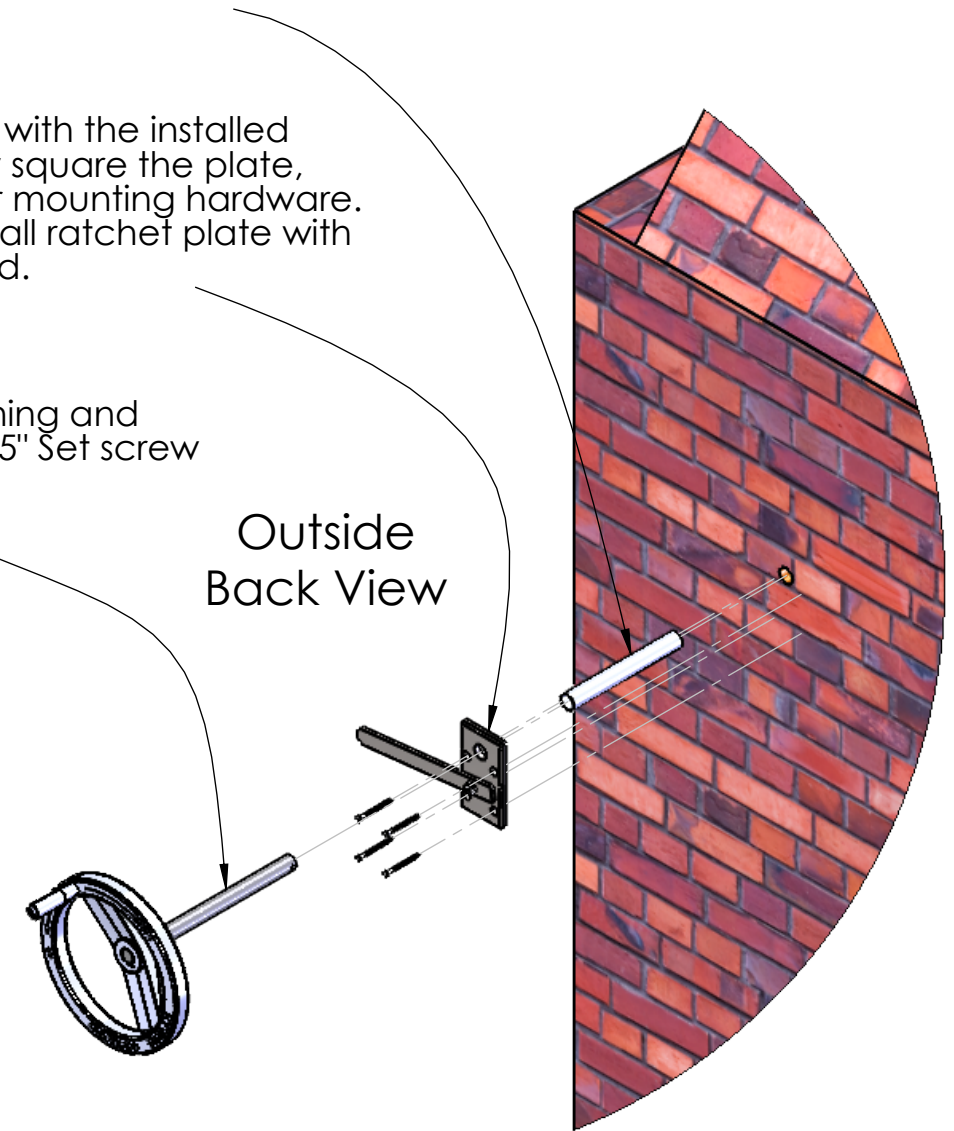
Step 4: Connect Crank Wheel to Grill

Slide wheel and extension shaft through bushing and attach to grill crankshaft using the 1/4-28 x .75" Set screw provided. (See Inside View)

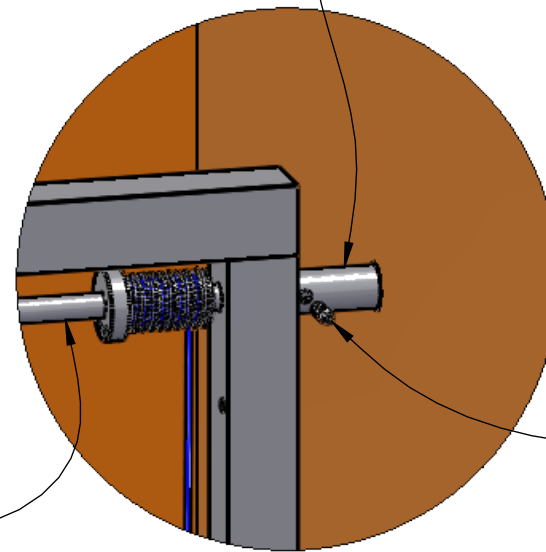
Front View



Outside Back View



Extension Shaft



Grill CrankShaft

Inside View

1/4-28 x .875" Set Screw

UNLESS OTHERWISE SPECIFIED:		NAME	DATE	Gaucha Grills	
DIMENSIONS ARE IN INCHES		DRAWN			
TOLERANCES:		ENG APPR.		SIZE DWG. NO. REV B GI5-1B-RH -	
ONE PLACE DECIMAL ±.1		MFG APPR.			
TWO PLACE DECIMAL ±.01		Quantity		Heat Treatment and Special Handling:	
THREE PLACE DECIMAL ±.005					
ANGULAR ±.5°					
SURFACE ROUGHNESS 125µin					
INTERPRET GEOMETRIC TOLERANCING PER: ASME Y14.5M-1994					
MATERIAL					
FINISH					
DO NOT SCALE DRAWING					

THIS DRAWING IS THE PROPERTY OF ARGENTUM OUTDOOR CREATIONS, LLC. REPRODUCTIONS SHALL BE FOR QUOTATION, MANUFACTURING OR PURCHASING PURPOSES ONLY. RELEASE OF DRAWINGS TO OTHER CONCERNS DOES NOT CONSTITUTE LICENSING IN ANY WAY.