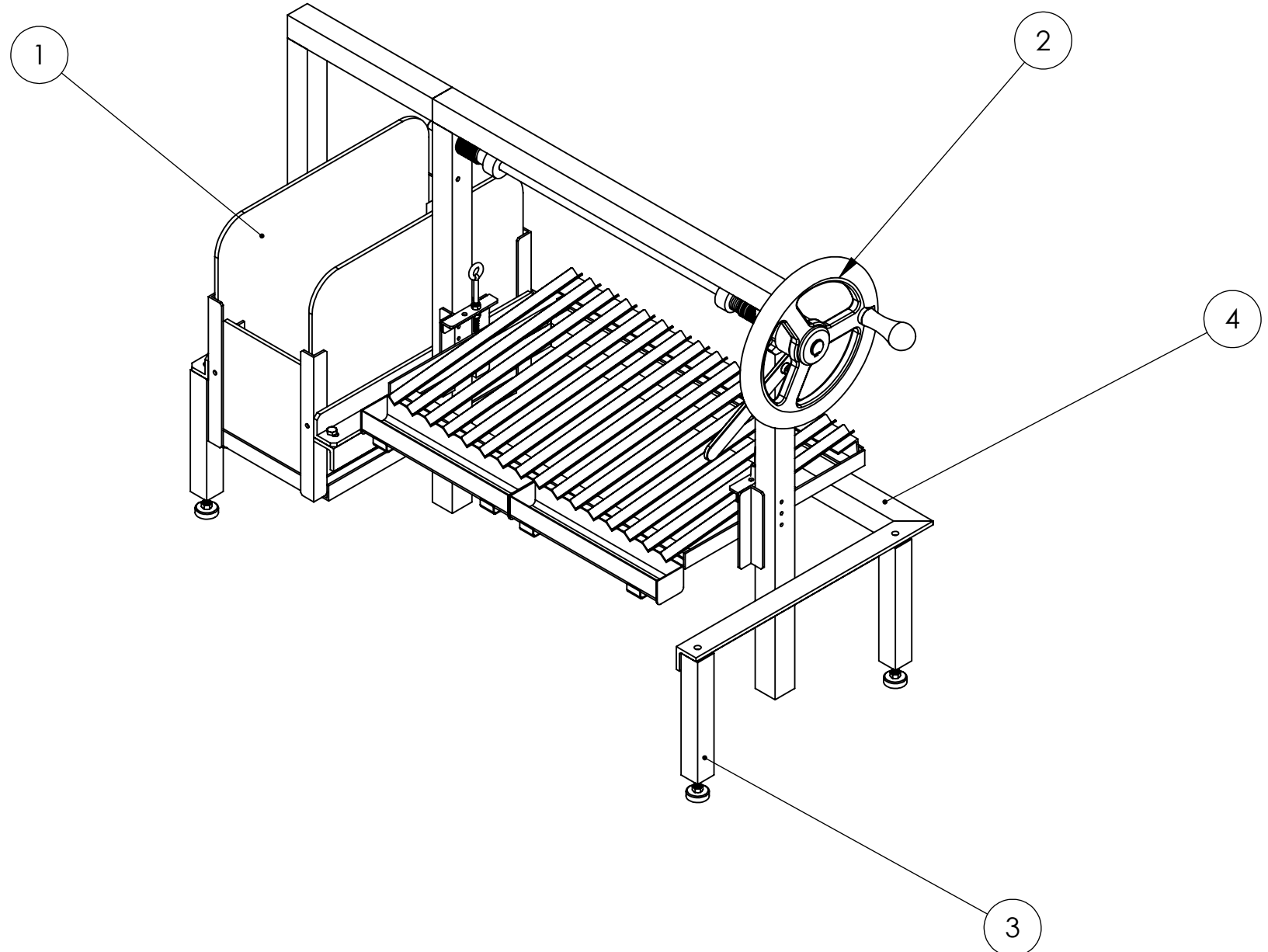


8 7 6 5 4 3 2 1

D
C
B
A

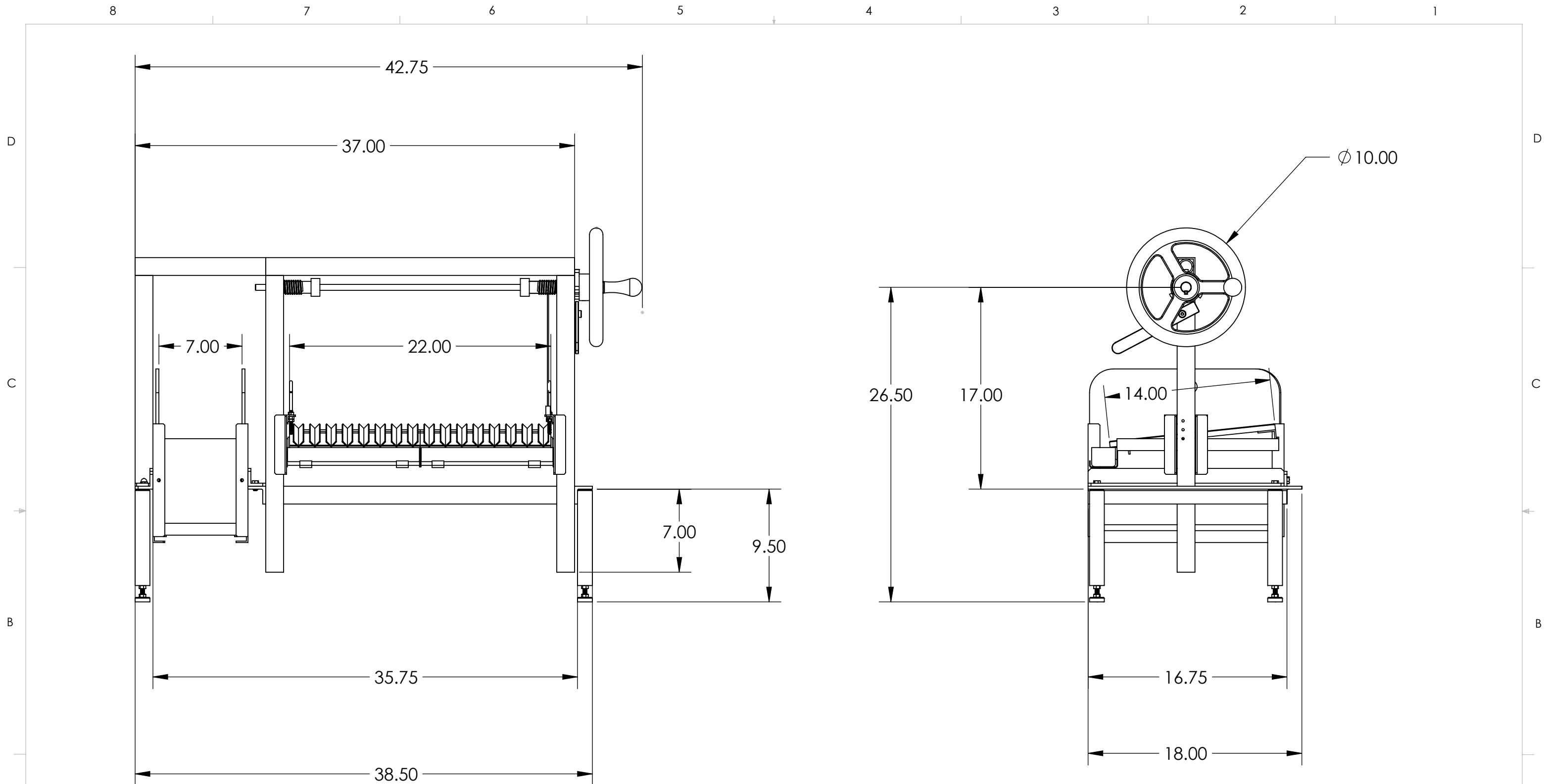


4	GP1-C	PLATFORM,SMALL	-	1
3	G023-9.50X1.25-2	LEG WELDMENT, ADJUSTABLE	-	4
2	G014-2.50-3-2	WHEEL ASSY, THREE SPOKE, 10.00 DIA, ALUM., RH, FRAME MOUNT	-	1
1	G011-1-22	BRASERO ASSY, SMALL, RH		1
ITEM NO.	DRAWING NUMBER	DESCRIPTION	REV	QTY.

UNLESS OTHERWISE SPECIFIED:		NAME	DATE	Gaucha Grills		
DIMENSIONS ARE IN INCHES		DRAWN				TITLE: INSERT. SMALL, LEG MOUNT, BRASERO, RH
TOLERANCES:		ENG APPR.				
ONE PLACE DECIMAL ±.1		MFG APPR.				
TWO PLACE DECIMAL ±.01		Quantity				
THREE PLACE DECIMAL ±.005		Heat Treatment and Special Handling:		SIZE	DWG. NO.	
ANGULAR ±.5°				B	GI1-3C-2	
SURFACE ROUGHNESS 125µin				REV	-	
INTERPRET GEOMETRIC TOLERANCING PER: ASME Y14.5M-1994				SCALE:1:1		
MATERIAL				SHEET 1 OF 2		
FINISH						
DO NOT SCALE DRAWING						

THIS DRAWING IS THE PROPERTY OF ARGENTUM OUTDOOR CREATIONS, LLC. REPRODUCTIONS SHALL BE FOR QUOTATION, MANUFACTURING OR PURCHASING PURPOSES ONLY. RELEASE OF DRAWINGS TO OTHER CONCERNS DOES NOT CONSTITUTE LICENSING IN ANY WAY.

8 7 6 5 4 3 2 1



UNLESS OTHERWISE SPECIFIED:

DIMENSIONS ARE IN INCHES
 TOLERANCES:
 ONE PLACE DECIMAL $\pm .1$
 TWO PLACE DECIMAL $\pm .01$
 THREE PLACE DECIMAL $\pm .005$
 ANGULAR $\pm .5^\circ$
 SURFACE ROUGHNESS 125 μ in

INTERPRET GEOMETRIC TOLERANCING PER: ASME Y14.5M-1994

MATERIAL

FINISH

DO NOT SCALE DRAWING

	NAME	DATE
DRAWN		
ENG APPR.		
MFG APPR.		
Quantity		

Heat Treatment and Special Handling:

Gaucha Grills

TITLE:
 INSERT. SMALL, LEG MOUNT,
 BRASERO, RH

SIZE	DWG. NO.	REV
B	GI1-3C-2	-

THIS DRAWING IS THE PROPERTY OF ARGENTUM OUTDOOR CREATIONS, LLC. REPRODUCTIONS SHALL BE FOR QUOTATION, MANUFACTURING OR PURCHASING PURPOSES ONLY. RELEASE OF DRAWINGS TO OTHER CONCERNS DOES NOT CONSTITUTE LICENSING IN ANY WAY.