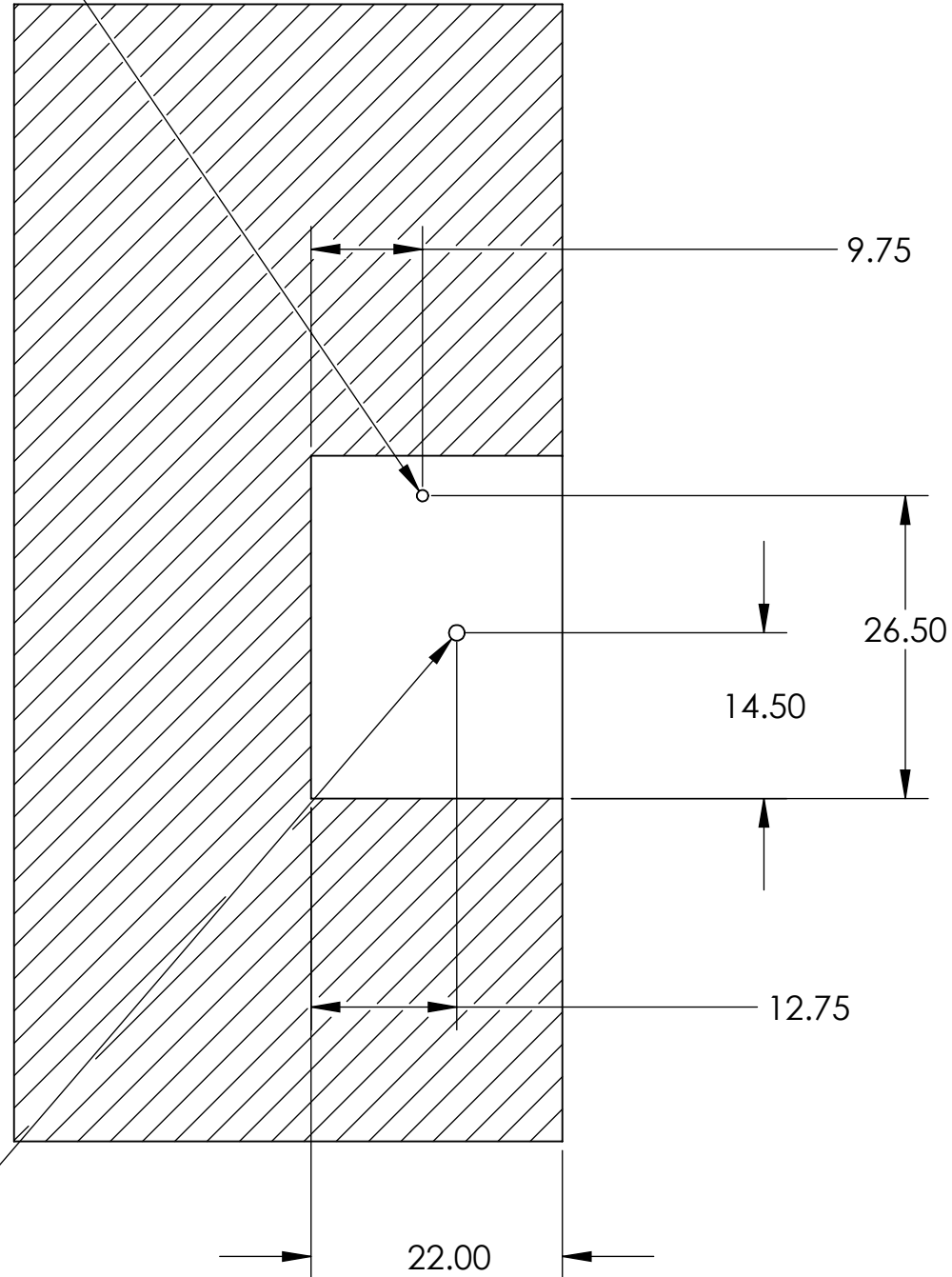
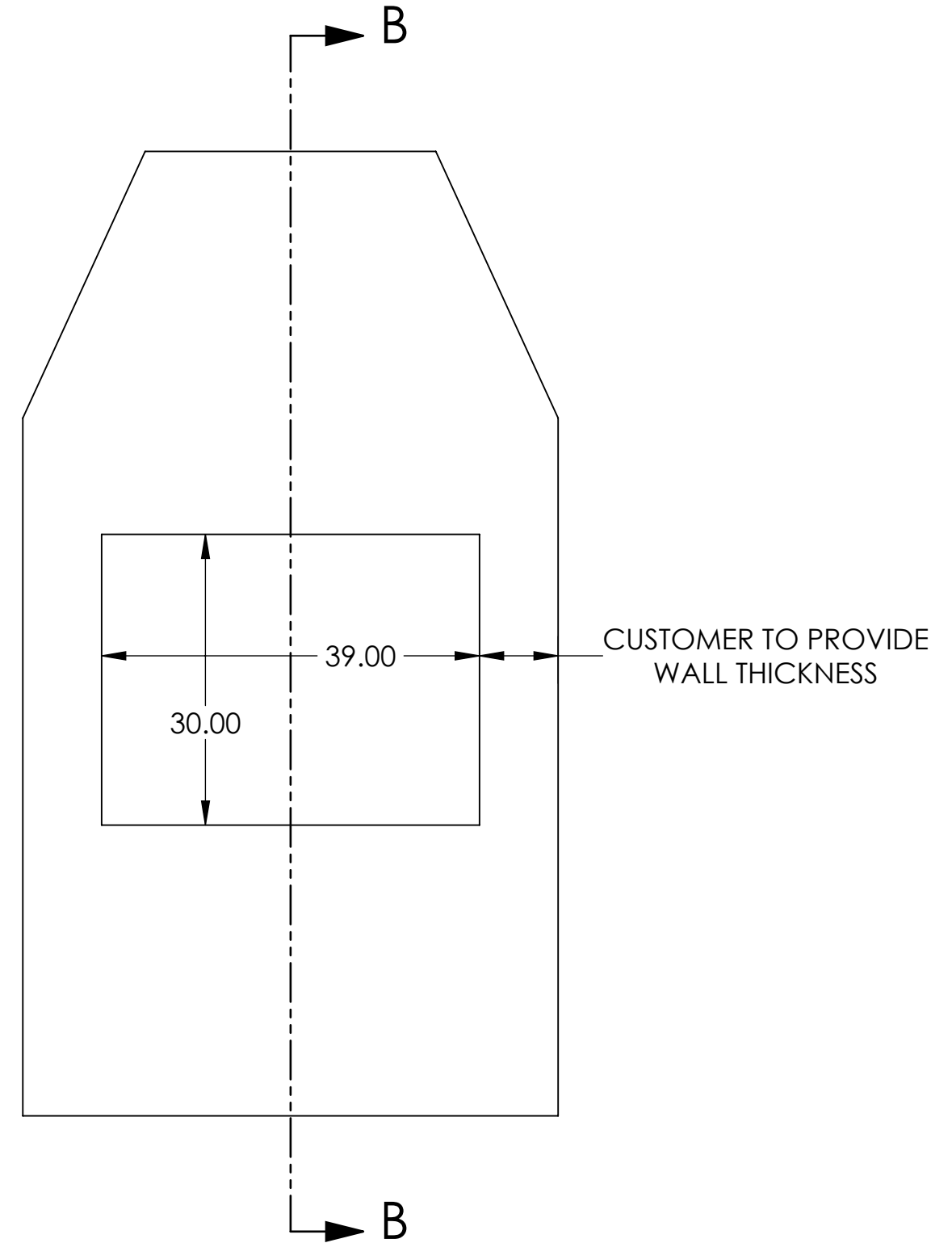


Ø 1.00 THRU
FOR CRANK WHEEL SHAFT BUSHING



Ø 1.37 THRU
FOR ROTISSERIE BUSHING



RECOMMENDED OPENING SIZES, ENCLOSED INSTALLATION GAUCHITO

SECTION B-B
SCALE 1 : 16