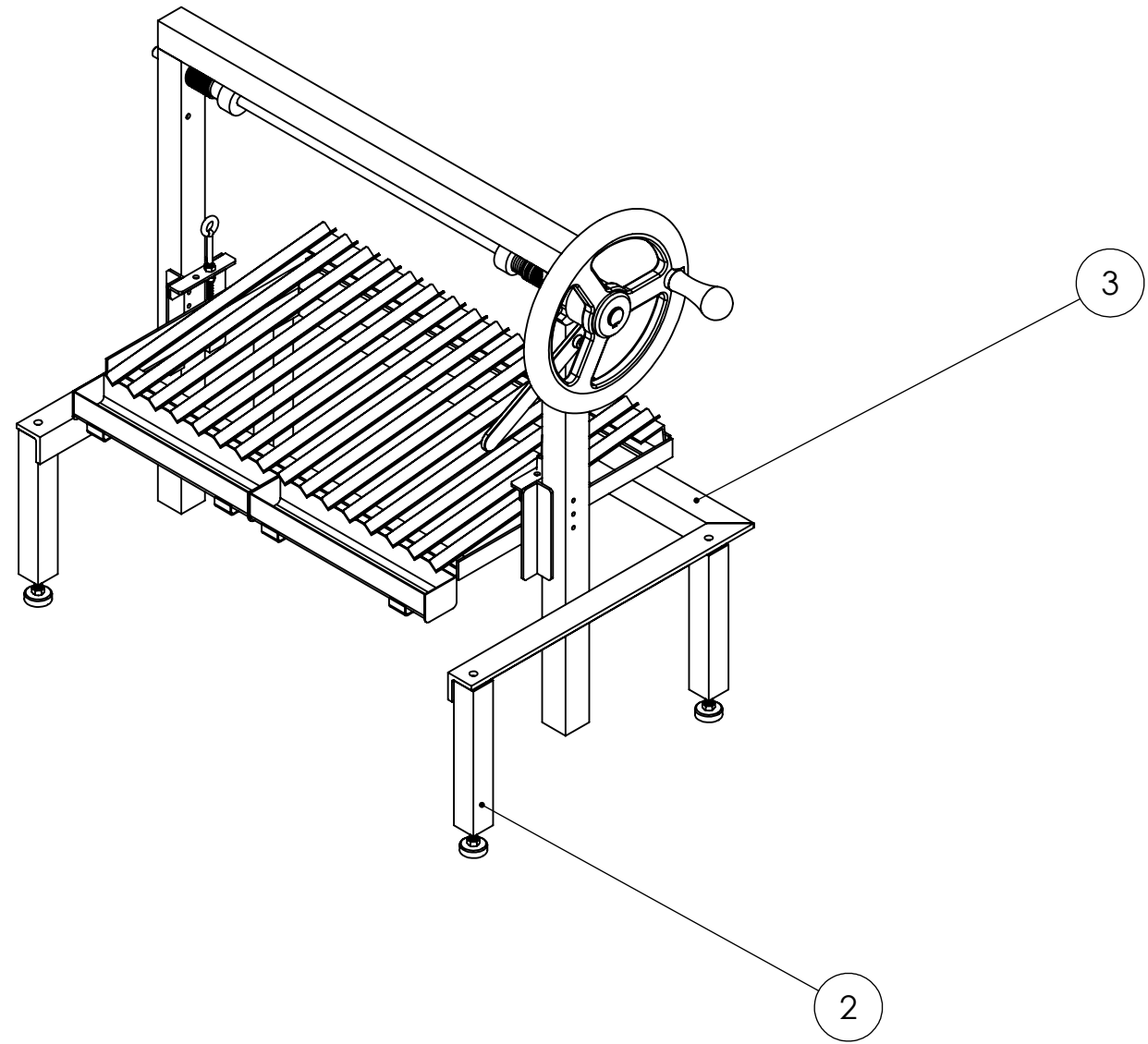


8 7 6 5 4 3 2 1

D
C
B
A



3	GP1-C	PLATFORM,SMALL	-	1
2	G023-9.50X1.25-2	LEG WELDMENT, ADJUSTABLE	-	4
1	G014-2.50-3-2	WHEEL ASSY, THREE SPOKE, 10.00 DIA, ALUM., RH, FRAME MOUNT	-	1
ITEM NO.	DRAWING NUMBER	DESCRIPTION	REV	QTY.

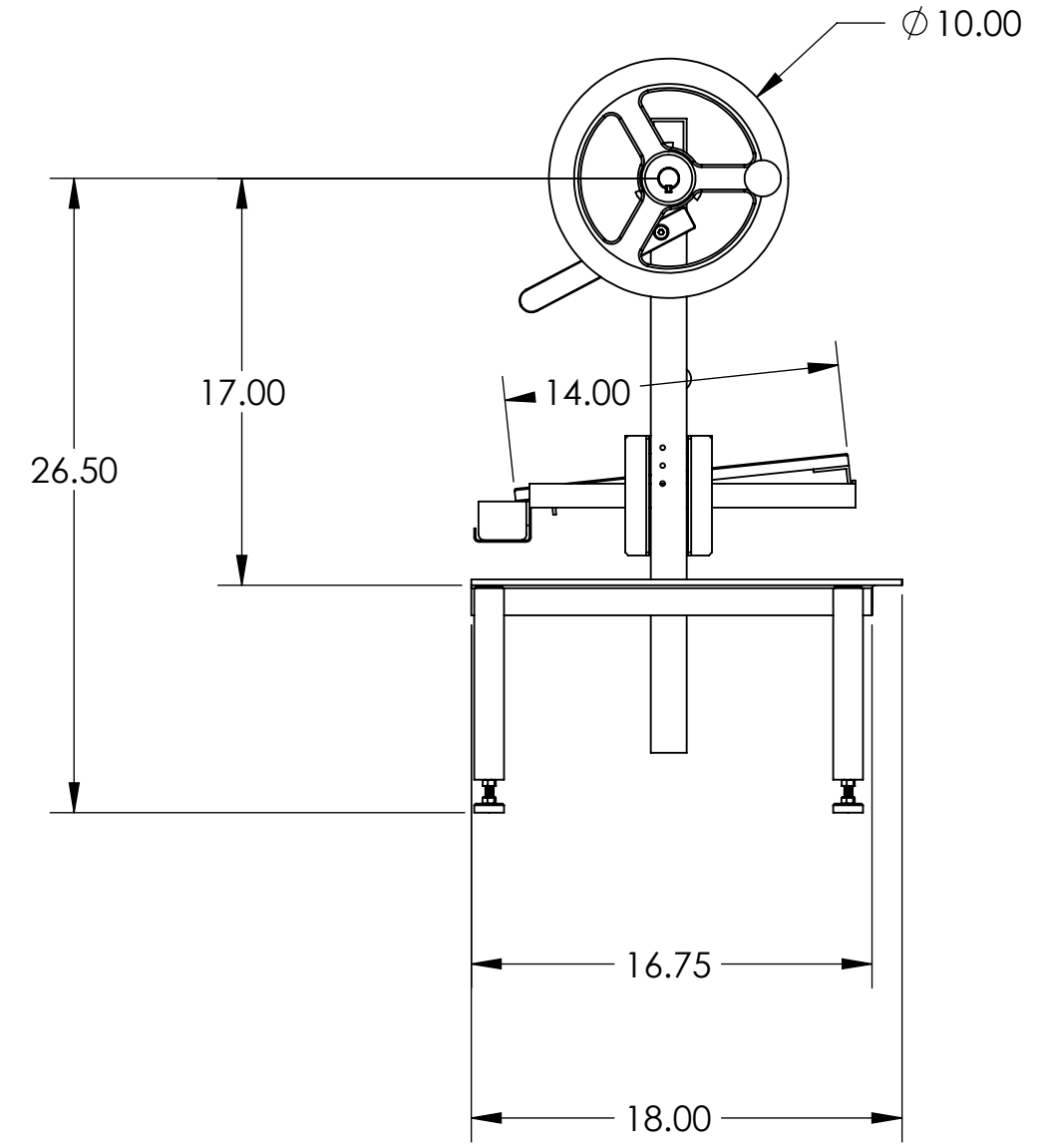
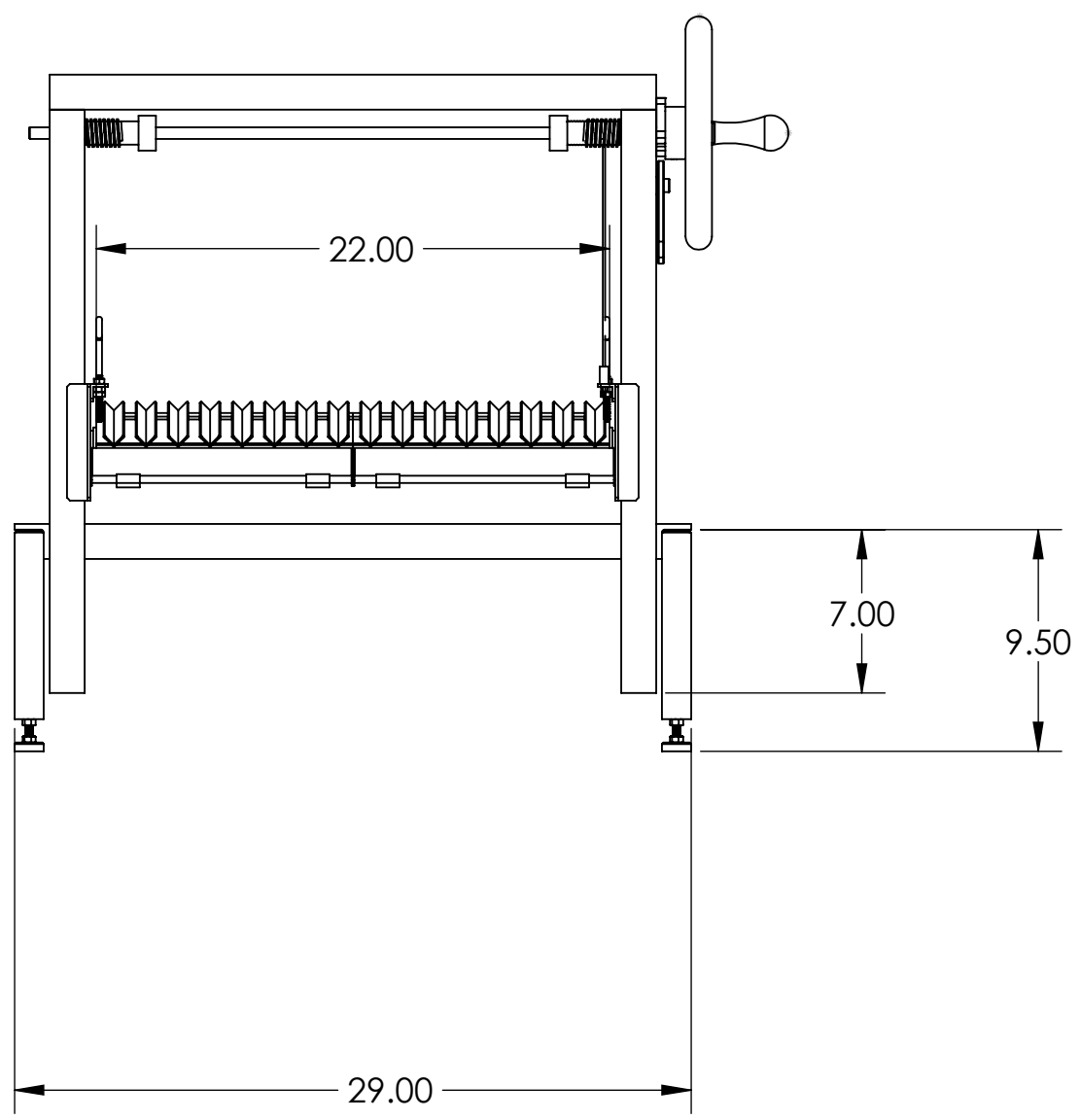
UNLESS OTHERWISE SPECIFIED:		NAME	DATE	Gaucha Grills	
DIMENSIONS ARE IN INCHES TOLERANCES: ONE PLACE DECIMAL ±.1 TWO PLACE DECIMAL ±.01 THREE PLACE DECIMAL ±.005 ANGULAR ±.5° SURFACE ROUGHNESS 125µin		DRAWN			
INTERPRET GEOMETRIC TOLERANCING PER: ASME Y14.5M-1994		ENG APPR.		SIZE DWG. NO. REV B G11-4C-2 -	
MATERIAL		MFG APPR.			SCALE:1:1 SHEET 1 OF 2
FINISH		Quantity			
DO NOT SCALE DRAWING		Heat Treatment and Special Handling:			

THIS DRAWING IS THE PROPERTY OF ARGENTUM OUTDOOR CREATIONS, LLC. REPRODUCTIONS SHALL BE FOR QUOTATION, MANUFACTURING OR PURCHASING PURPOSES ONLY. RELEASE OF DRAWINGS TO OTHER CONCERNS DOES NOT CONSTITUTE LICENSING IN ANY WAY.

8 7 6 5 4 3 2 1

8 7 6 5 4 3 2 1

D
C
B
A



UNLESS OTHERWISE SPECIFIED:		NAME	DATE	<i>Gaucha Grills</i>		
DIMENSIONS ARE IN INCHES		DRAWN				
TOLERANCES:		ENG APPR.		TITLE: INSERT. SMALL, LEG MOUNT, RH		
ONE PLACE DECIMAL ±.1		MFG APPR.				
TWO PLACE DECIMAL ±.01		Quantity		SIZE	DWG. NO.	REV
THREE PLACE DECIMAL ±.005		Heat Treatment and Special Handling:		B	GI1-4C-2	-
ANGULAR ±.5°				SCALE:1:1		SHEET 2 OF 2
SURFACE ROUGHNESS 125µin						
INTERPRET GEOMETRIC TOLERANCING PER: ASME Y14.5M-1994						
MATERIAL						
FINISH						
DO NOT SCALE DRAWING						

THIS DRAWING IS THE PROPERTY OF ARGENTUM OUTDOOR CREATIONS, LLC. REPRODUCTIONS SHALL BE FOR QUOTATION, MANUFACTURING OR PURCHASING PURPOSES ONLY. RELEASE OF DRAWINGS TO OTHER CONCERNS DOES NOT CONSTITUTE LICENSING IN ANY WAY.

8 7 6 5 4 3 2 1