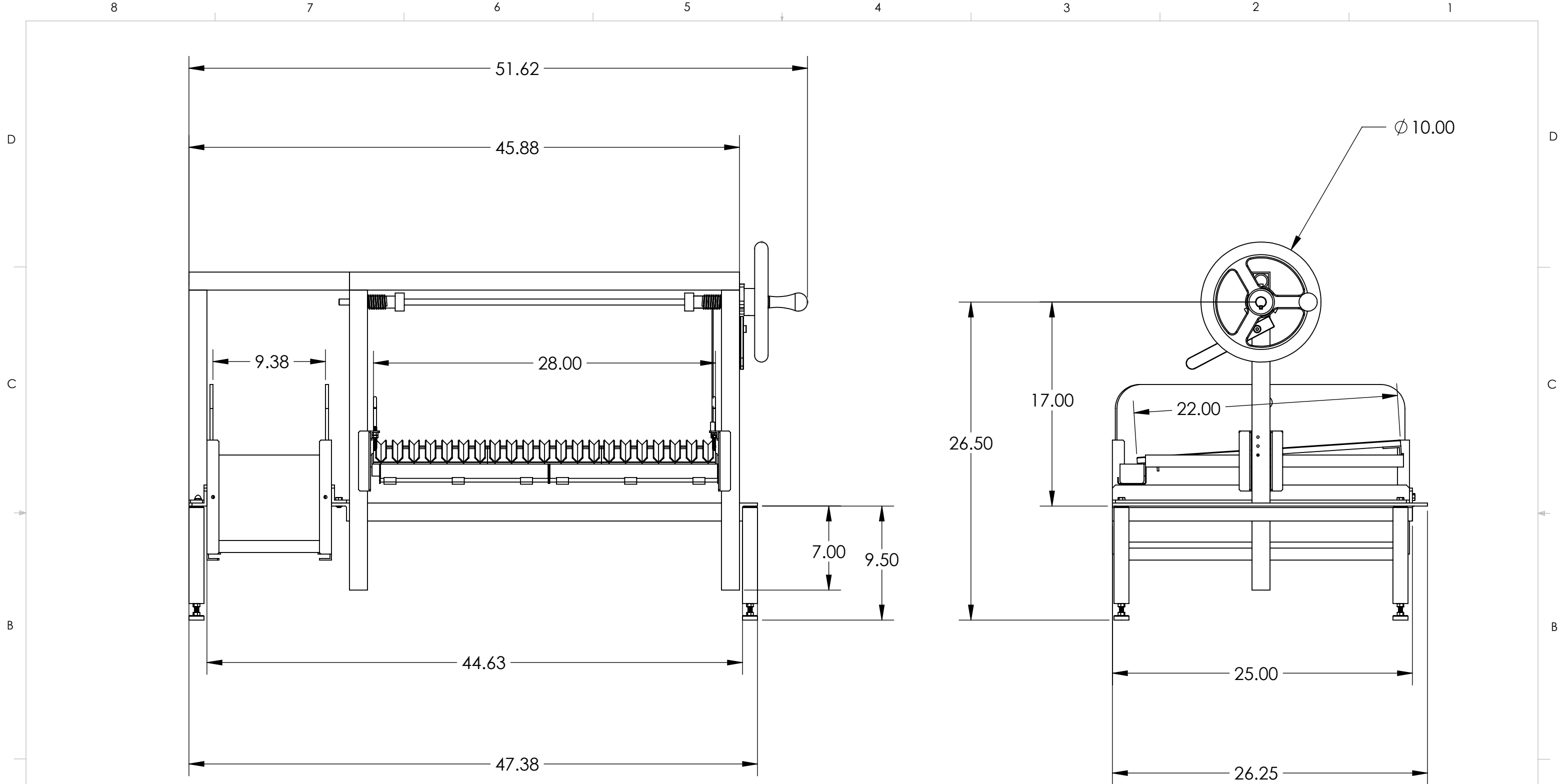


4	GP3-C	PLATFORM, MEDIUM		1
3	G023-9.50X1.25-2	LEG WELDMENT, ADJUSTABLE	-	4
2	G014-2.50-3-2	WHEEL ASSY, THREE SPOKE, 10.00 DIA, ALUM., RH, FRAME MOUNT	-	1
1	G011-3-2	BRASERO ASSY, MEDIUM & LARGE, RH		1
ITEM NO.	DRAWING NUMBER	DESCRIPTION	REV	

UNLESS OTHERWISE SPECIFIED:		NAME	DATE	<b>Gaucha Grills</b>		
DIMENSIONS ARE IN INCHES		DRAWN				TITLE: INSERT, MEDIUM, LEG MOUNT, BRASERO, RH
TOLERANCES:		ENG APPR.				
ONE PLACE DECIMAL ±.1		MFG APPR.				
TWO PLACE DECIMAL ±.01		Quantity		SIZE	DWG. NO.	REV
THREE PLACE DECIMAL ±.005		Heat Treatment and Special Handling:		<b>B</b>	G13-3C-2	-
ANGULAR ±.5°				SCALE:1:1		SHEET 1 OF 2
SURFACE ROUGHNESS 125µin						
INTERPRET GEOMETRIC TOLERANCING PER: ASME Y14.5M-1994						
MATERIAL						
FINISH						
DO NOT SCALE DRAWING						

THIS DRAWING IS THE PROPERTY OF ARGENTUM OUTDOOR CREATIONS, LLC. REPRODUCTIONS SHALL BE FOR QUOTATION, MANUFACTURING OR PURCHASING PURPOSES ONLY. RELEASE OF DRAWINGS TO OTHER CONCERNS DOES NOT CONSTITUTE LICENSING IN ANY WAY.



UNLESS OTHERWISE SPECIFIED:

DIMENSIONS ARE IN INCHES  
 TOLERANCES:  
 ONE PLACE DECIMAL ±.1  
 TWO PLACE DECIMAL ±.01  
 THREE PLACE DECIMAL ±.005  
 ANGULAR ±.5°  
 SURFACE ROUGHNESS 125µin

INTERPRET GEOMETRIC TOLERANCING PER: ASME Y14.5M-1994

MATERIAL

FINISH

DO NOT SCALE DRAWING

	NAME	DATE
DRAWN		
ENG APPR.		
MFG APPR.		
Quantity		

Heat Treatment and Special Handling:

## Gaucha Grills

TITLE:  
 INSERT, MEDIUM, LEG MOUNT,  
 BRASERO, RH

SIZE	DWG. NO.	REV
<b>B</b>	GI3-3C-2	-

THIS DRAWING IS THE PROPERTY OF ARGENTUM OUTDOOR CREATIONS, LLC. REPRODUCTIONS SHALL BE FOR QUOTATION, MANUFACTURING OR PURCHASING PURPOSES ONLY. RELEASE OF DRAWINGS TO OTHER CONCERNS DOES NOT CONSTITUTE LICENSING IN ANY WAY.