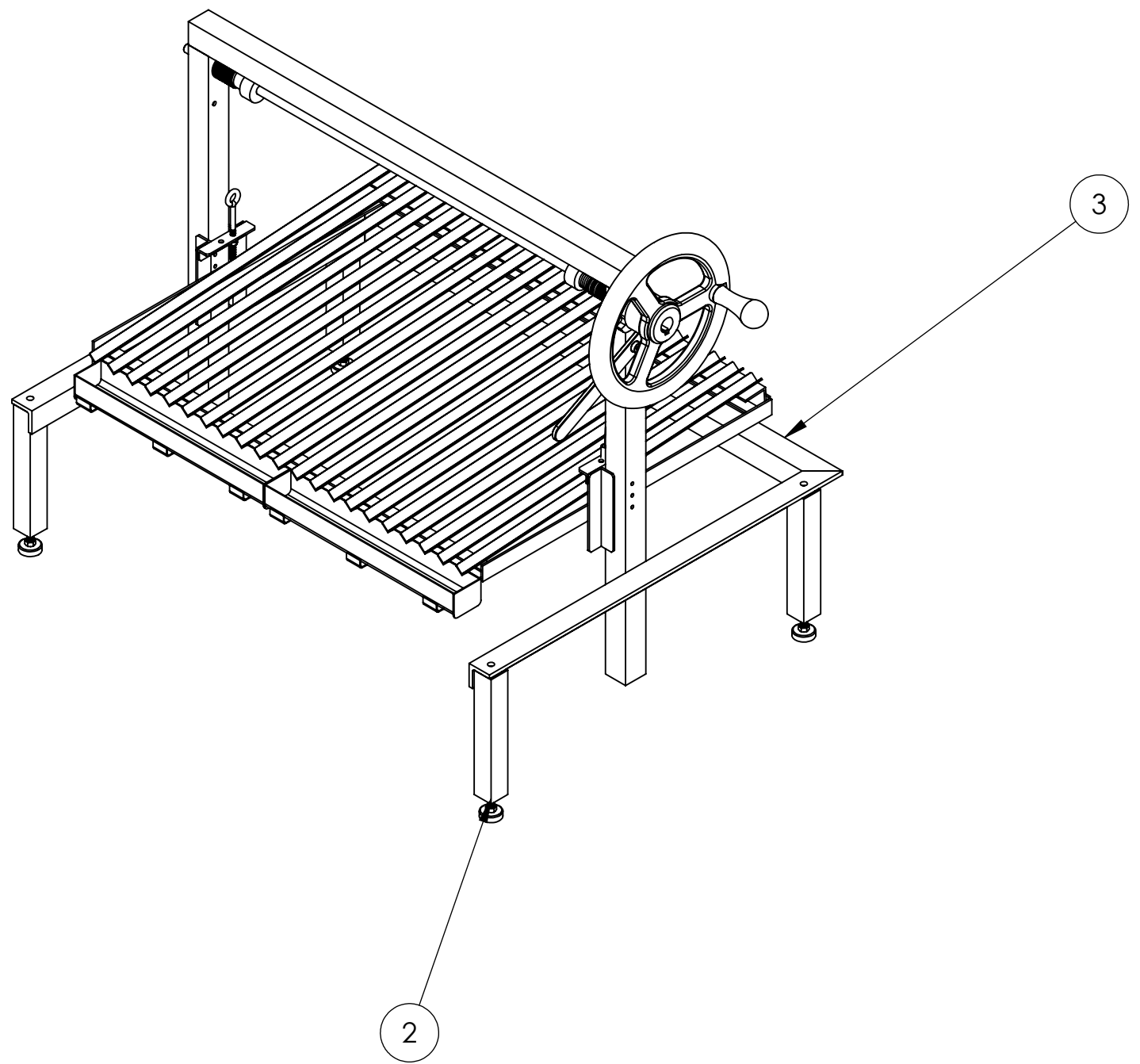


8 7 6 5 4 3 2 1

D  
C  
B  
A



3	GP3-C	PLATFORM, MEDIUM		1
2	G023-9.50X1.25-2	LEG WELDMENT, ADJUSTABLE	-	4
1	G014-3-2	WHEEL ASSY, THREE SPOKE, THRU WALL, 10.00 DIA. ALUM, RH, WG & HD	-	1
ITEM NO.	DRAWING NUMBER	DESCRIPTION	REV	QTY.

UNLESS OTHERWISE SPECIFIED:		NAME	DATE
DIMENSIONS ARE IN INCHES		DRAWN	
TOLERANCES:		ENG APPR.	
ONE PLACE DECIMAL ±.1		MFG APPR.	
TWO PLACE DECIMAL ±.01			
THREE PLACE DECIMAL ±.005		Quantity	
ANGULAR ±.5°		Heat Treatment and Special Handling:	
SURFACE ROUGHNESS 125µin			
INTERPRET GEOMETRIC TOLERANCING PER: ASME Y14.5M-1994			
MATERIAL			
FINISH			
DO NOT SCALE DRAWING			

**Gaucha Grills**

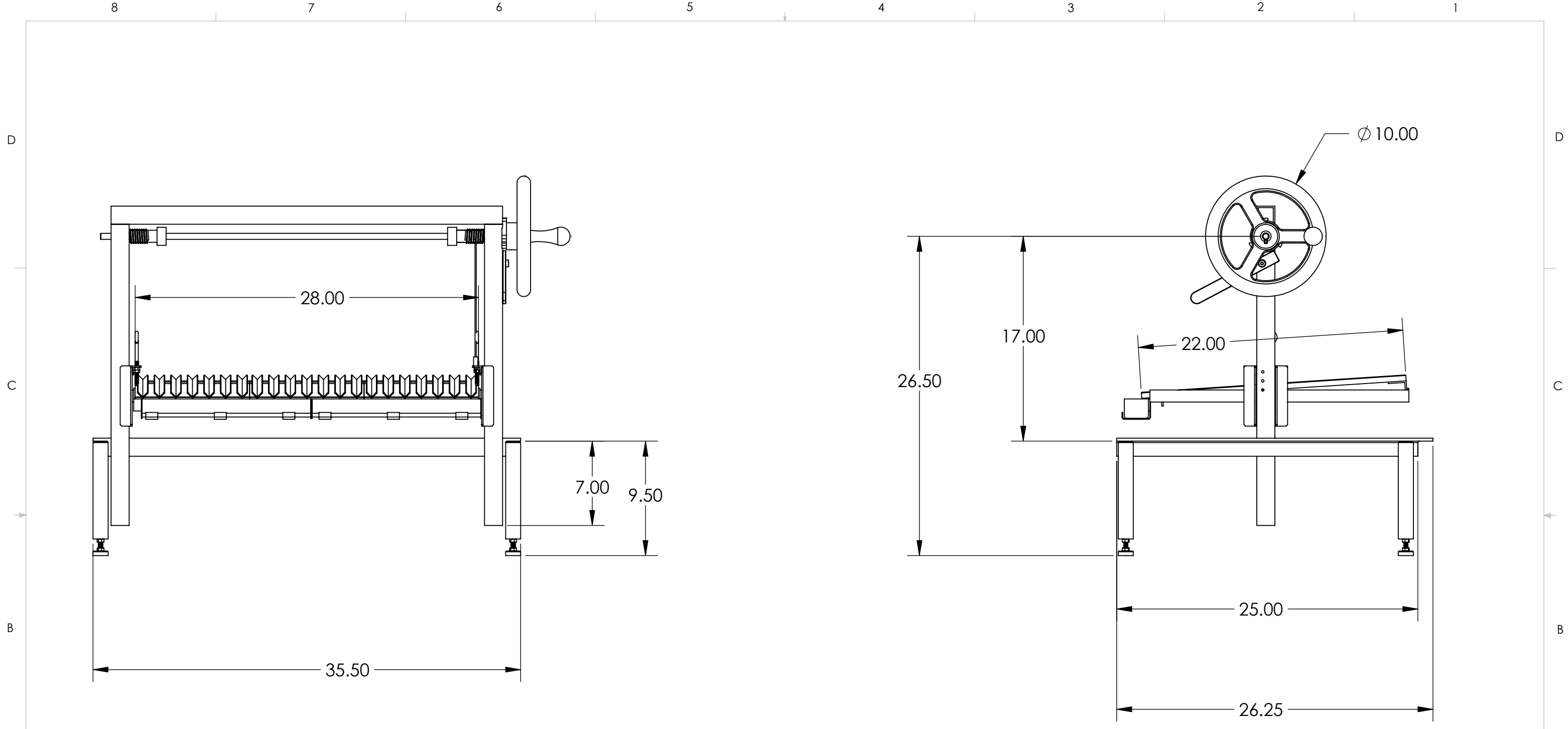
TITLE: INSERT, MEDIUM, LEG MOUNT, RH

SIZE	DWG. NO.	REV
<b>B</b>	G13-4C-2	-

SCALE: 1:1 SHEET 1 OF 2

THIS DRAWING IS THE PROPERTY OF ARGENTUM OUTDOOR CREATIONS, LLC. REPRODUCTIONS SHALL BE FOR QUOTATION, MANUFACTURING OR PURCHASING PURPOSES ONLY. RELEASE OF DRAWINGS TO OTHER CONCERNS DOES NOT CONSTITUTE LICENSING IN ANY WAY.

8 7 6 5 4 3 2 1



UNLESS OTHERWISE SPECIFIED:

DIMENSIONS ARE IN INCHES  
 TOLERANCES:  
 ONE PLACE DECIMAL ±.1  
 TWO PLACE DECIMAL ±.01  
 THREE PLACE DECIMAL ±.005  
 ANGULAR ±.5°  
 SURFACE ROUGHNESS 125µin

INTERPRET GEOMETRIC TOLERANCING PER: ASME Y14.5M-1994

MATERIAL

FINISH

DO NOT SCALE DRAWING

	NAME	DATE
DRAWN		
ENG APPR.		
MFG APPR.		
Quantity		

Heat Treatment and Special Handling:

## Gaucha Grills

TITLE:  
 INSERT, MEDIUM, LEG MOUNT,  
 RH

SIZE	DWG. NO.	REV
<b>B</b>	GI3-4C-2	-

THIS DRAWING IS THE PROPERTY OF ARGENTUM OUTDOOR CREATIONS, LLC. REPRODUCTIONS SHALL BE FOR QUOTATION, MANUFACTURING OR PURCHASING PURPOSES ONLY. RELEASE OF DRAWINGS TO OTHER CONCERNS DOES NOT CONSTITUTE LICENSING IN ANY WAY.