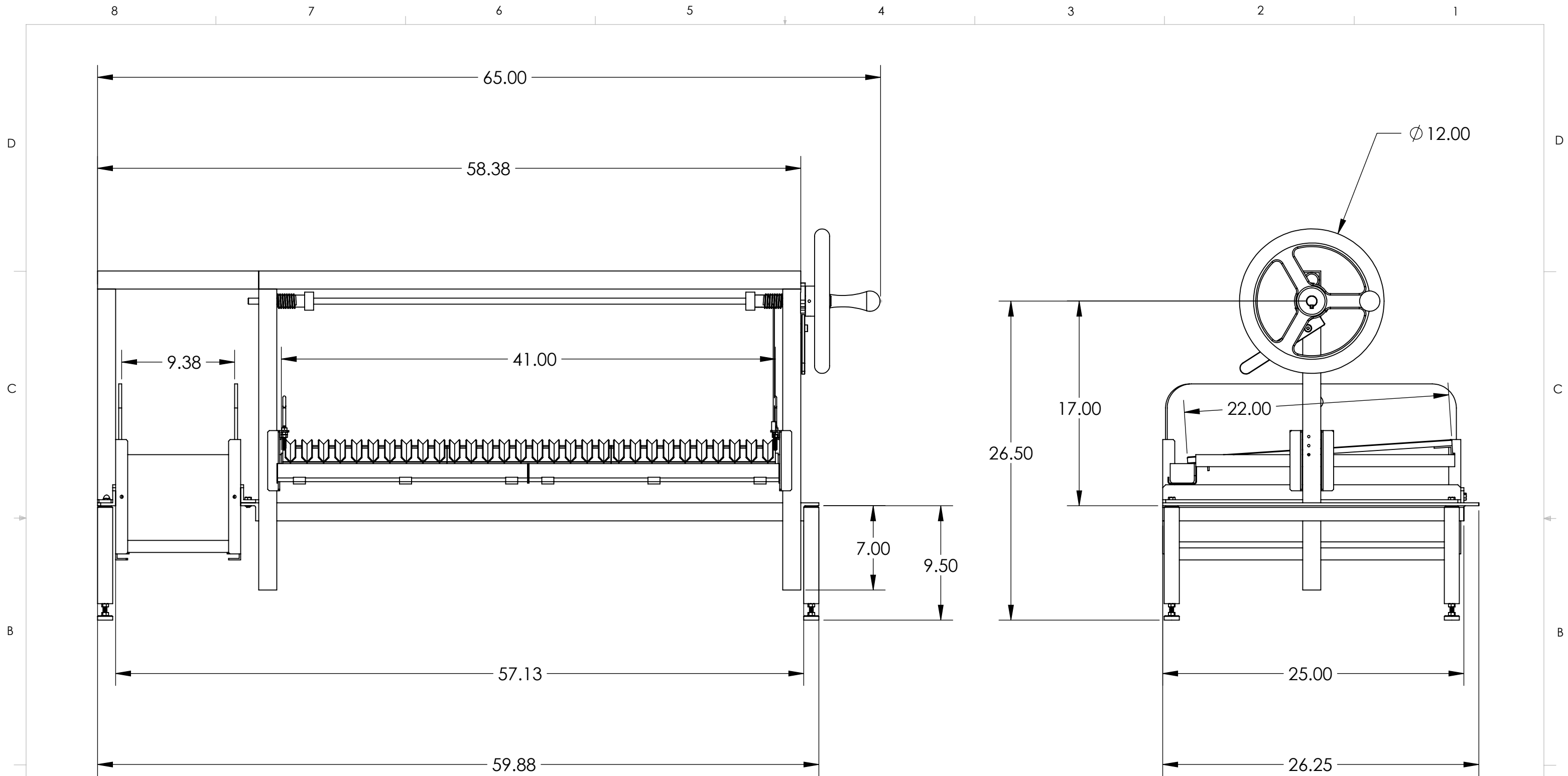


4	GP5-C	PLATFORM, LARGE	-	1
3	G023-9.50X1.25-2	LEG WELDMENT, ADJUSTABLE	-	4
2	G014-2.50-4-2	WHEEL ASSY, THREE SPOKE, 10.00 DIA, ALUM., RH, FRAME MOUNT	-	1
1	G011-3-2	BRASERO ASSY, MEDIUM & LARGE, RH		1
ITEM NO.	DRAWING NUMBER	DESCRIPTION	REV	QTY.

UNLESS OTHERWISE SPECIFIED:		NAME	DATE	<b>Gaucha Grills</b>	
DIMENSIONS ARE IN INCHES TOLERANCES: ONE PLACE DECIMAL ±.1 TWO PLACE DECIMAL ±.01 THREE PLACE DECIMAL ±.005 ANGULAR ±.5° SURFACE ROUGHNESS 125µin		DRAWN			
INTERPRET GEOMETRIC TOLERANCING PER: ASME Y14.5M-1994		ENG APPR.		SIZE DWG. NO. REV <b>B</b> GI5-3C-2 -	
MATERIAL		MFG APPR.			
FINISH		Quantity		Heat Treatment and Special Handling:	
DO NOT SCALE DRAWING					

THIS DRAWING IS THE PROPERTY OF ARGENTUM OUTDOOR CREATIONS, LLC. REPRODUCTIONS SHALL BE FOR QUOTATION, MANUFACTURING OR PURCHASING PURPOSES ONLY. RELEASE OF DRAWINGS TO OTHER CONCERNS DOES NOT CONSTITUTE LICENSING IN ANY WAY.



UNLESS OTHERWISE SPECIFIED:

DIMENSIONS ARE IN INCHES  
 TOLERANCES:  
 ONE PLACE DECIMAL  $\pm .1$   
 TWO PLACE DECIMAL  $\pm .01$   
 THREE PLACE DECIMAL  $\pm .005$   
 ANGULAR  $\pm .5^\circ$   
 SURFACE ROUGHNESS 125 $\mu$ in

INTERPRET GEOMETRIC TOLERANCING PER: ASME Y14.5M-1994

MATERIAL

FINISH

DO NOT SCALE DRAWING

	NAME	DATE
DRAWN		
ENG APPR.		
MFG APPR.		
Quantity		

Heat Treatment and Special Handling:

*Gaucha Grills*

TITLE:  
 INSERT. LARGE, LEG MOUNT,  
 BRASERO, RH

SIZE	DWG. NO.	REV
<b>B</b>	GI5-3C-2	-
SCALE: 1:1		SHEET 2 OF 2

THIS DRAWING IS THE PROPERTY OF ARGENTUM OUTDOOR CREATIONS, LLC. REPRODUCTIONS SHALL BE FOR QUOTATION, MANUFACTURING OR PURCHASING PURPOSES ONLY. RELEASE OF DRAWINGS TO OTHER CONCERNS DOES NOT CONSTITUTE LICENSING IN ANY WAY.