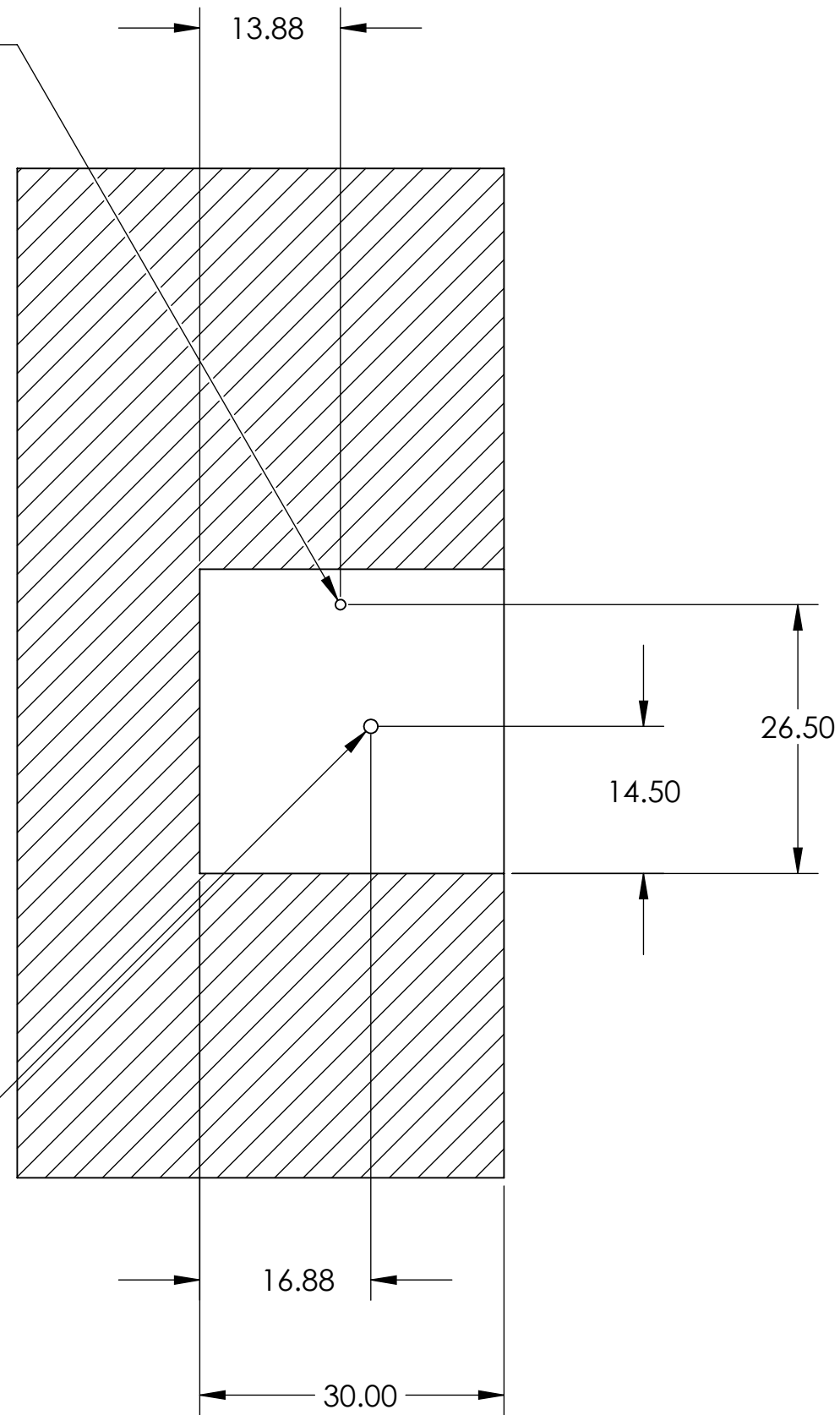
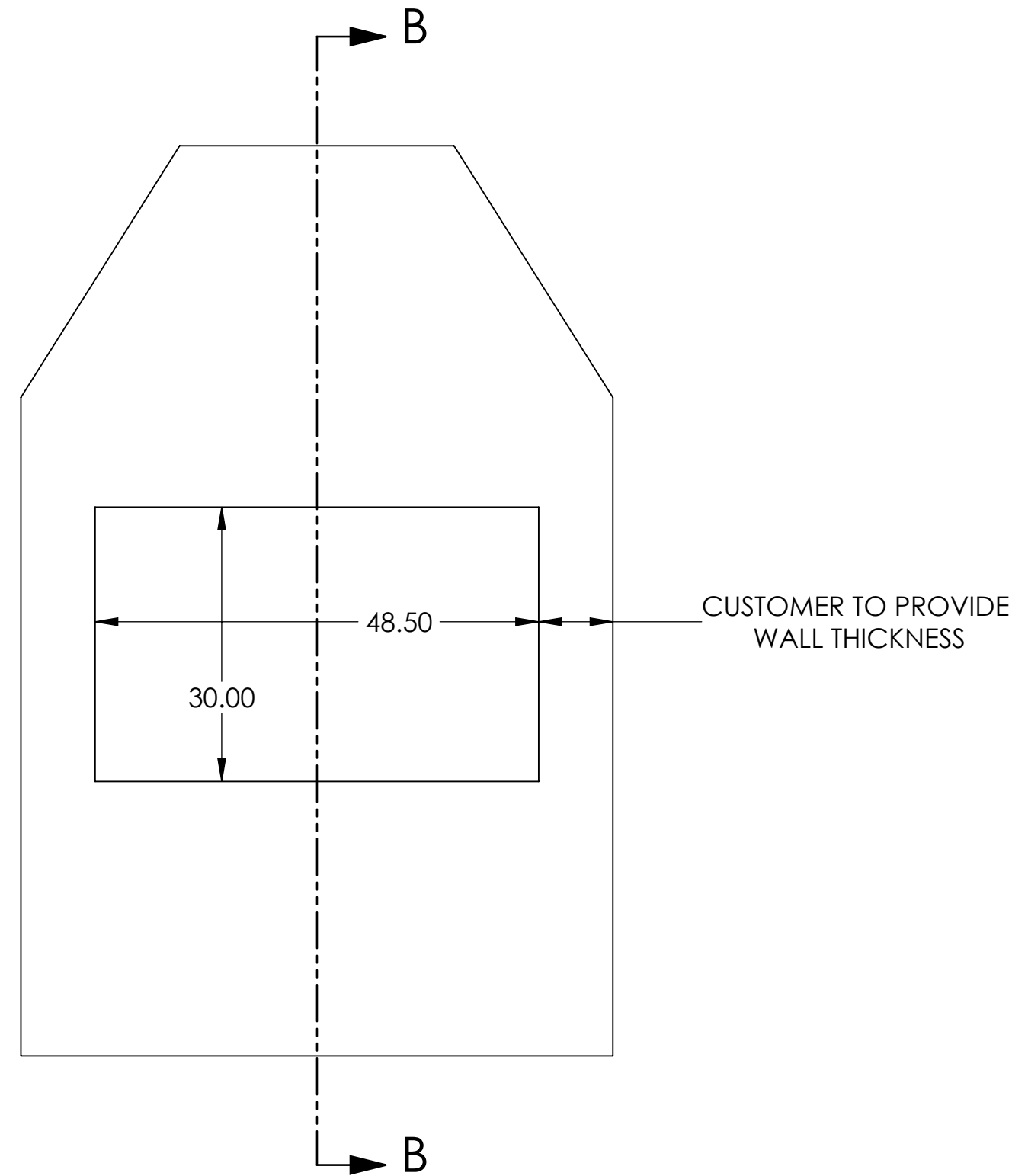


Ø 1.00 THRU  
FOR CRANK WHEEL SHAFT BUSHING



Ø 1.37 THRU  
FOR ROTISSERIE BUSHING



CUSTOMER TO PROVIDE  
WALL THICKNESS

SECTION B-B  
SCALE 1 : 16